

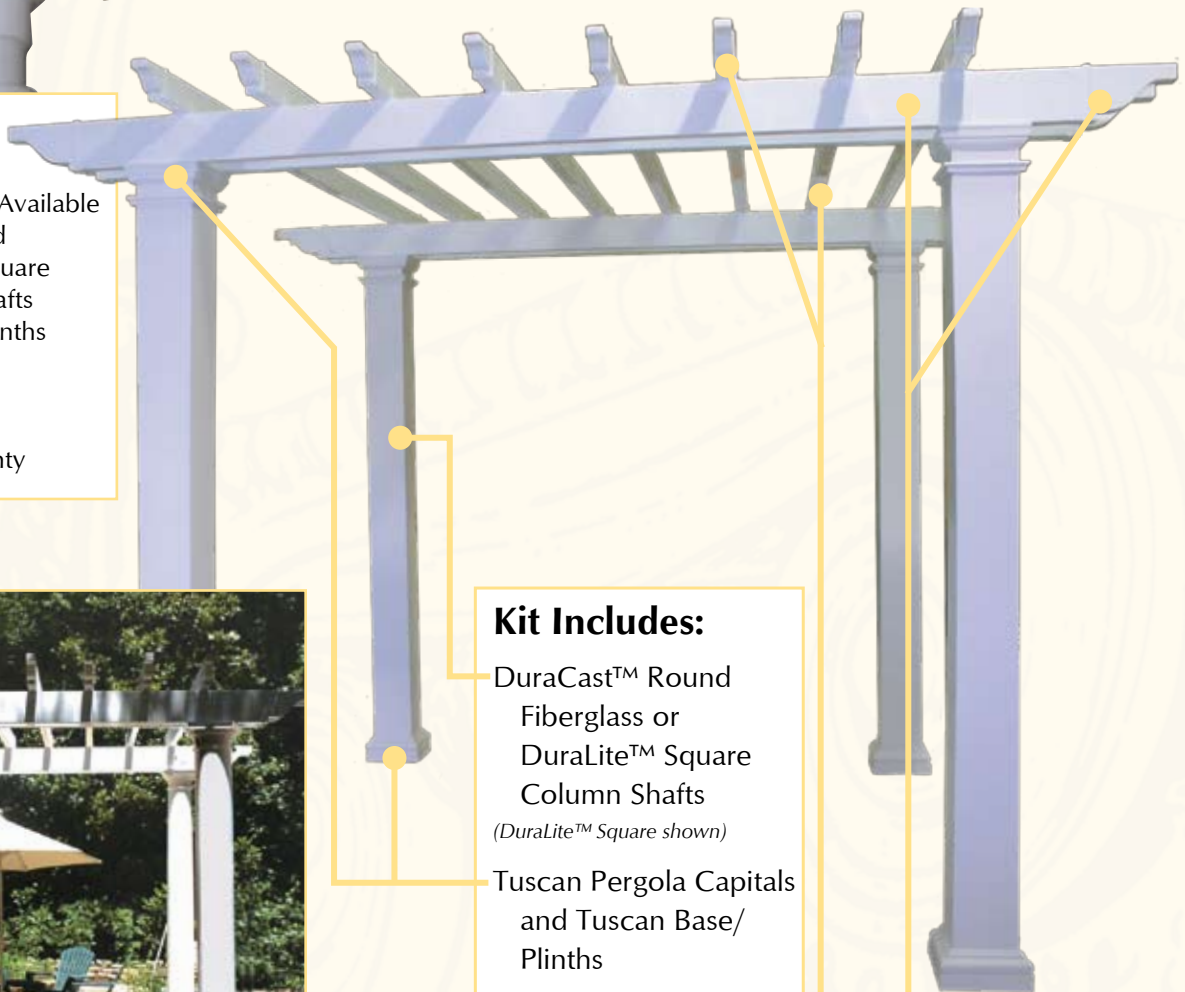


Pergolas

Enjoy the outdoors even more with innovative, low-maintenance Pergolas from Dixie-Pacific.™ This airy, yet sturdy structure adds beauty and elegance to any home, patio or garden making a lovely spot to simply enjoy the outdoors. Pergolas come unassembled in complete kits in two sizes: 8' x 8' or 10' x 10', and feature DuraCast™ Plain Round or DuraLite™ Plain Square Fiberglass Column Shafts, Tuscan Pergola Capitals, Tuscan base/plinths, rafters, lintels and more – everything you need, including the installation hardware, to create a point of interest like no other.

Pergola Features:

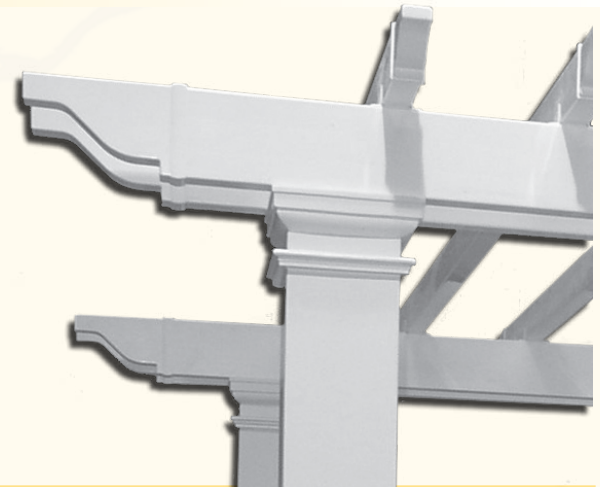
- 8' x 8' or 10' x 10' Kits Available
- DuraCast™ Plain Round or DuraLite™ Plain Square Fiberglass Column Shafts
- Tuscan Caps & Base/Plinths
- Low Maintenance
- Durable
- Decay Resistant
- Limited Lifetime Warranty



Kit Includes:

- DuraCast™ Round Fiberglass or DuraLite™ Square Column Shafts
(DuraLite™ Square shown)
- Tuscan Pergola Capitals and Tuscan Base/Plinths
- Rafters and End Caps
- Lintels (Beams) and End Caps





8' x 8' Pergola Kit (with Round Tapered Columns)

Quantity	Description
4	8" x 8' DuraCast™ Plain Round Fiberglass Column Shafts
4	8" Tuscan Pergola Capitals
4	Pergola Cap Blocks
4	8" Tuscan Base/Plinths
8	2" x 3½" x 10' Rafters
16	2" x 3½" Rafter End Caps
4	2" x 6" x 10' Lintels (Beams)
8	2" x 6" Lintel (Beam) End Caps
32	2" x 2" Pergola Clips
1	8 oz. Tube PVC Glue
1	Hardware Pack

NOTE: 8' x 8' is measured from the center of the column to the center of the column.

8' x 8' Pergola Kit (with Square Non-Tapered Columns)

Quantity	Description
4	8" x 8" x 8' DuraLite™ Plain Square Fiberglass Column Shafts
4	8" Tuscan Pergola Capitals
4	Pergola Cap Blocks
4	Beads (Astragals)
4	8" Tuscan Base/Plinths
8	2" x 3½" x 10' Rafters
16	2" x 3½" Rafter End Caps
4	2" x 6" x 10' Lintels (Beams)
8	2" x 6" Lintel (Beam) End Caps
32	2" x 2" Pergola Clips
1	8 oz. Tube PVC Glue
1	Hardware Pack

NOTE: 8' x 8' is measured from the center of the column to the center of the column.

10' x 10' Pergola Kit (with Round Tapered Columns)

Quantity	Description
4	10" x 8' DuraCast™ Plain Round Fiberglass Column Shafts
4	10" Tuscan Pergola Capitals
4	Pergola Cap Blocks
4	10" Tuscan Base/Plinths
9	2" x 6" x 12' Rafters
18	2" x 6" Rafter End Caps
4	2" x 8" x 12' Lintels (Beams)
8	2" x 8" Lintel (Beam) End Caps
36	2" x 2" Pergola Clips
1	8 oz. Tube PVC Glue
1	Hardware Pack

NOTE: 10' x 10' is measured from the center of the column to the center of the column.

10' x 10' Pergola Kit (with Square Non-Tapered Columns)

Quantity	Description
4	10" x 10" x 8' DuraLite™ Plain Square Fiberglass Column Shafts
4	10" Tuscan Pergola Capitals
4	Pergola Cap Blocks
4	Beads (Astragals)
4	10" Tuscan Base/Plinths
9	2" x 6" x 12' Rafters
18	2" x 6" Rafter End Caps
4	2" x 8" x 12' Lintels (Beams)
8	2" x 8" Lintel (Beam) End Caps
36	2" x 2" Pergola Clips
1	8 oz. Tube PVC Glue
1	Hardware Pack

NOTE: 10' x 10' is measured from the center of the column to the center of the column.

Hardware Pack Contents

Quantity	Description
4	¾"-16 x 10' Threaded Rods (Zinc)
12	¾" Washers (Zinc)
12	¾"-16 Hex Nuts (Zinc)
72	¾" Screws for Pergola Clips
4	¾"-16 Concrete Anchors
8	¾"-16 x 10" Carriage Bolts
4	Fiberglass Column Installation Kits
4	Galvanized Plates

Hardware Pack Contents

Quantity	Description
4	¾"-16 x 10' Threaded Rods (Zinc)
12	¾" Washers (Zinc)
12	¾"-16 Hex Nuts (Zinc)
72	¾" Screws for Pergola Clips
4	¾"-16 Concrete Anchors
8	¾"-16 x 10" Carriage Bolts
4	Fiberglass Column Installation Kits
4	Galvanized Plates